
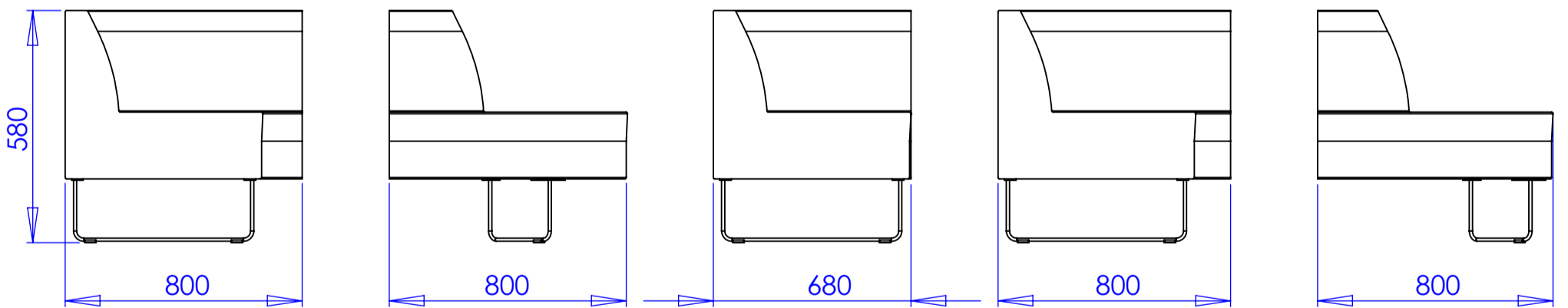
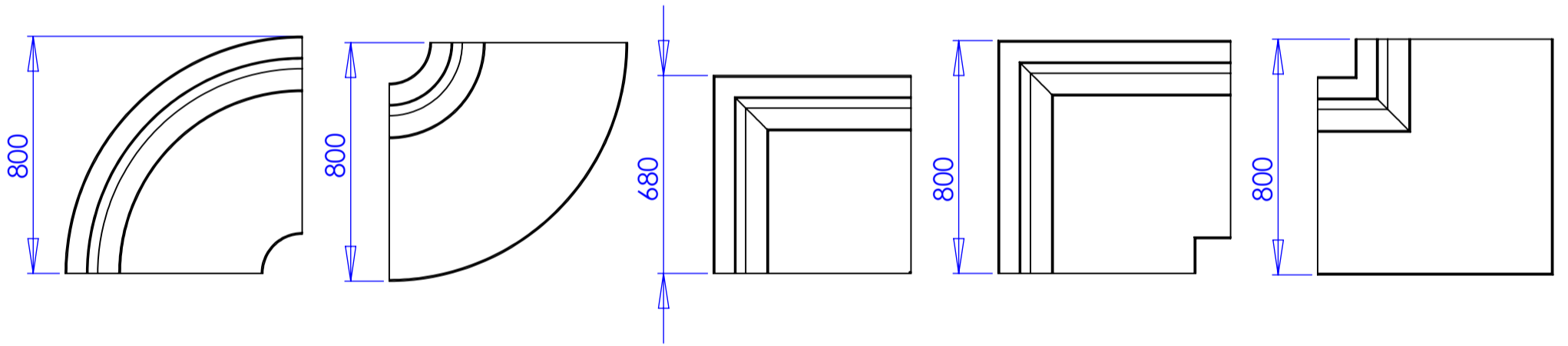
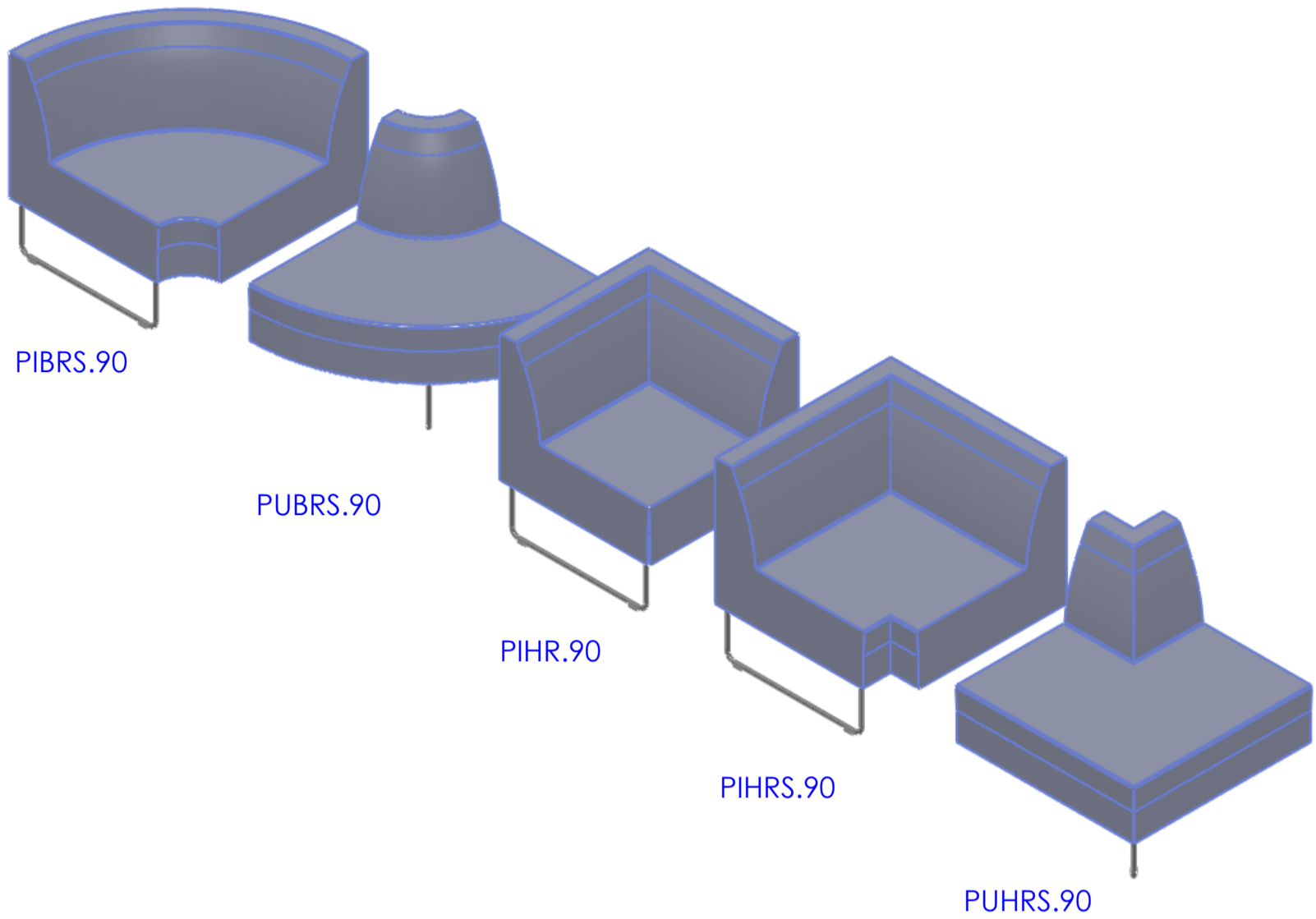

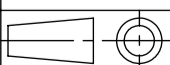
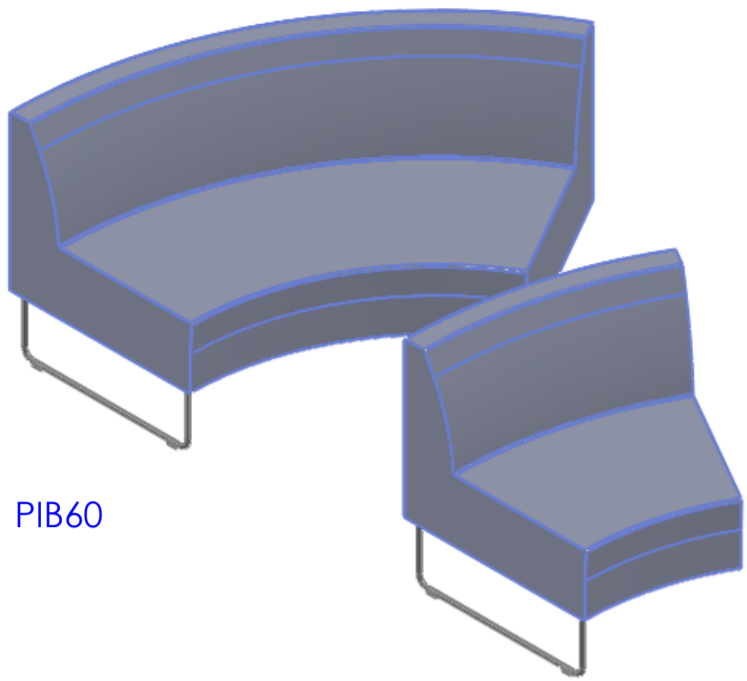


Emnemål:			
Nettomål:			
Date: 11.03.2011	Drawn by: RR	Approved _____	
Units MM.	Scale: 1:20		
Material	Sheet format A3	Tolerance +/- 0,2 mm.	THIS DRAWING IS THE PROPERTY OF VAD AS AND MUST NOT BE COPIED OR USED WITHOUT OUR APPROVAL.
Part name. PIVOT MODULER 1	Last saved by: rosrei Last saved: 16.03.2011		Part/Drawing nr.

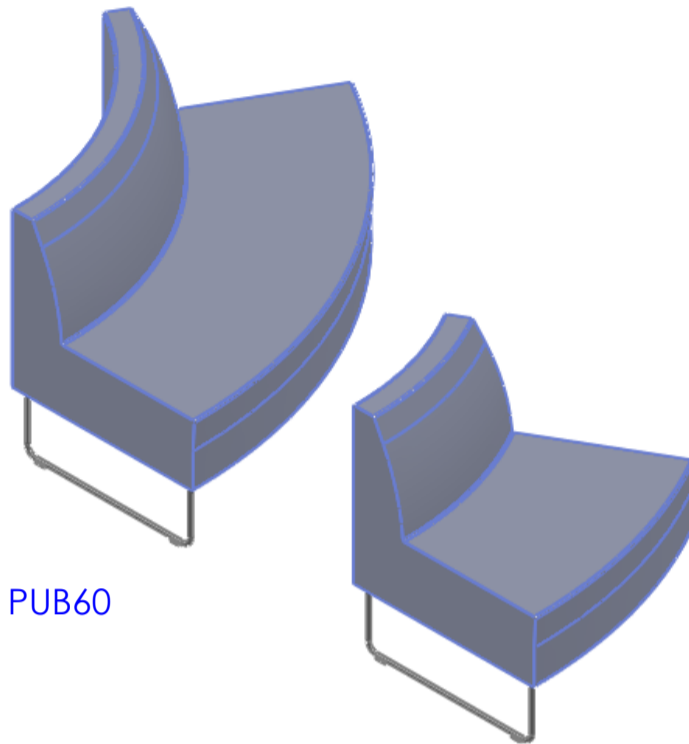


Emnemål:					
Nettomål:					
Date: 11.03.2011		Drawn by: RR	Approved	 THIS DRAWING IS THE PROPERTY OF VAD AS AND MUST NOT BE COPIED OR USED WITHOUT OUR APPROVAL.	
Units MM.			Scale: 1:20		
Material			Sheet format A3	Tolerance +/- 0,2 mm.	Last saved by: rosrei Last saved: 16.03.2011
Part name. PIVOT MODULER 2			Part/Drawing nr.		



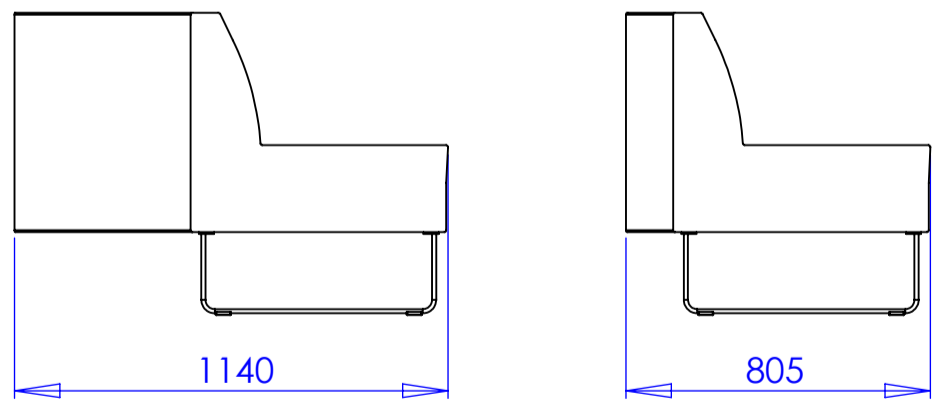
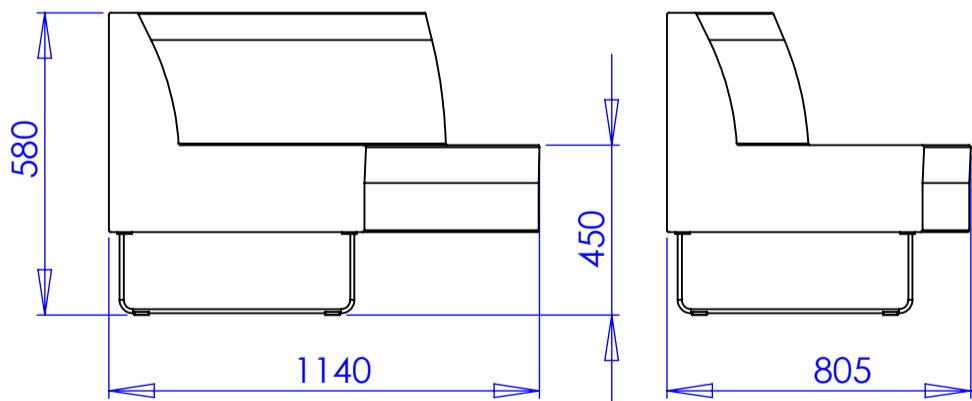
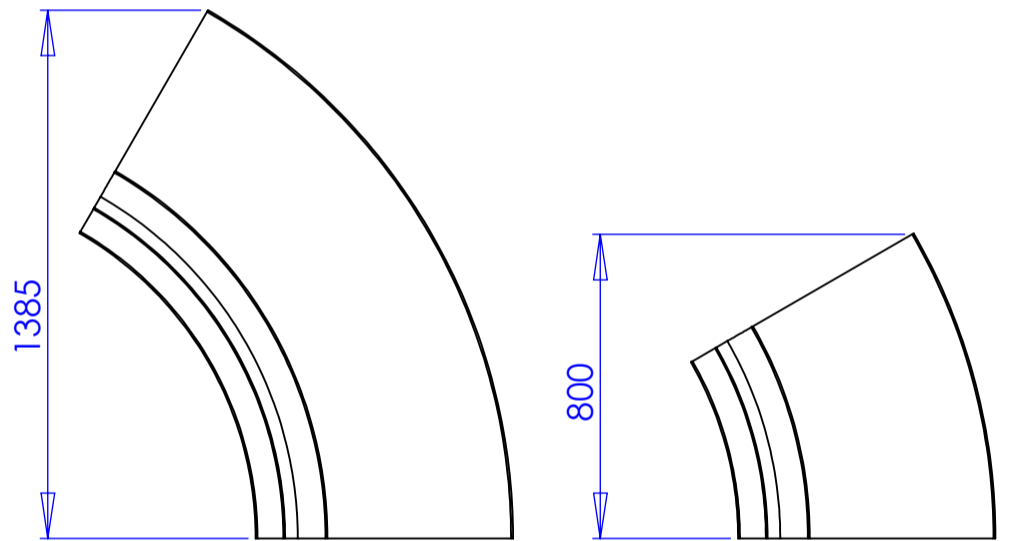
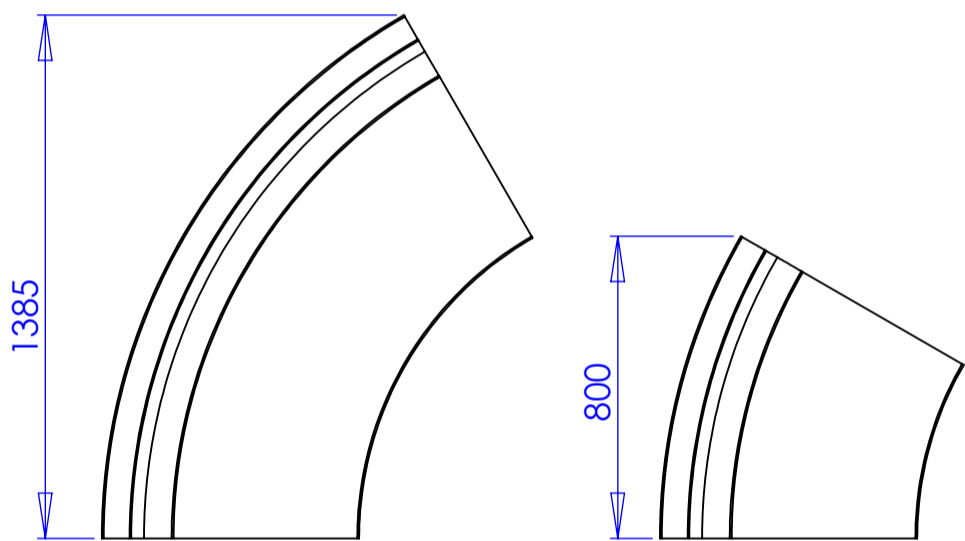
PIB60


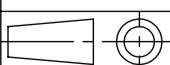
PIB30

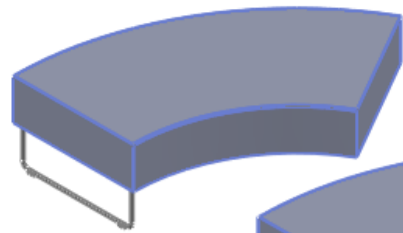


PUB60

PUB30



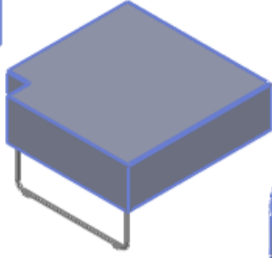
Emnemål:					
Nettomål:					
Date: 11.03.2011		Drawn by: RR	Approved		THIS DRAWING IS THE PROPERTY OF VAD AS AND MUST NOT BE COPIED OR USED WITHOUT OUR APPROVAL.
Units MM.		Scale: 1:20			
Material			Sheet format A3	Tolerance +/- 0,2 mm.	Last saved by: rosrei Last saved: 16.03.2011
Part name. PIVOT MODULER3			Part/Drawing nr.		



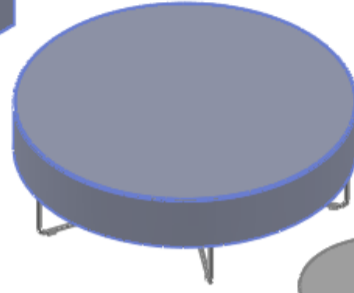
PI/U60.UR



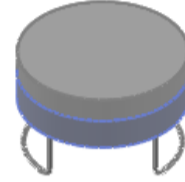
PI/U30.UR



PI/U90.UR



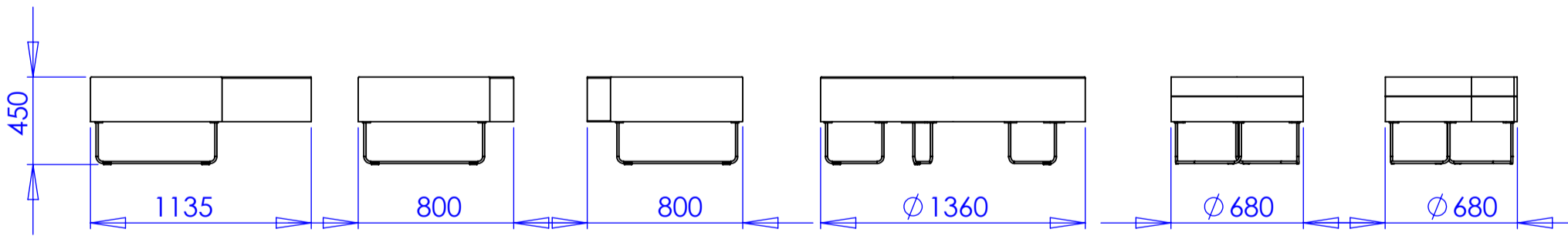
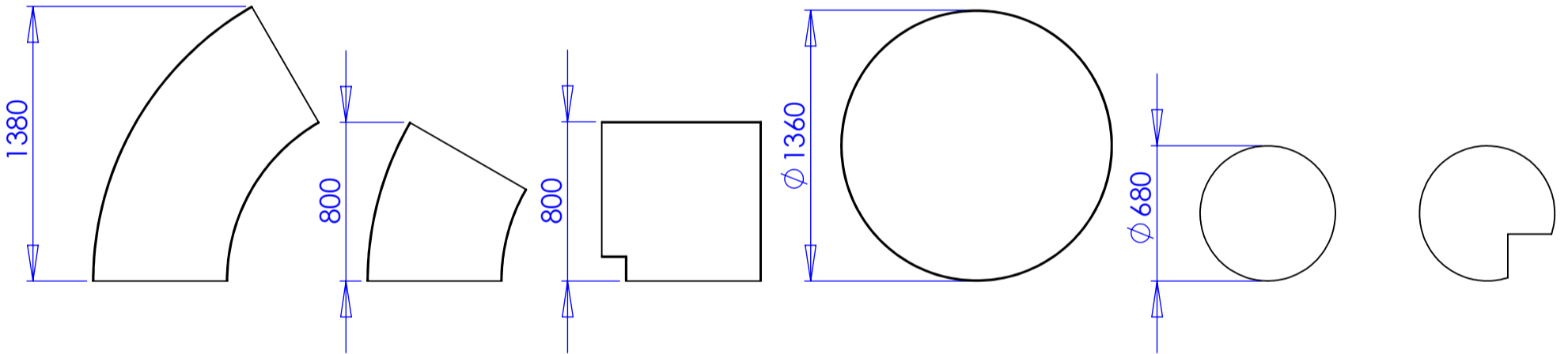
PP136


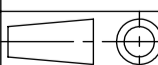


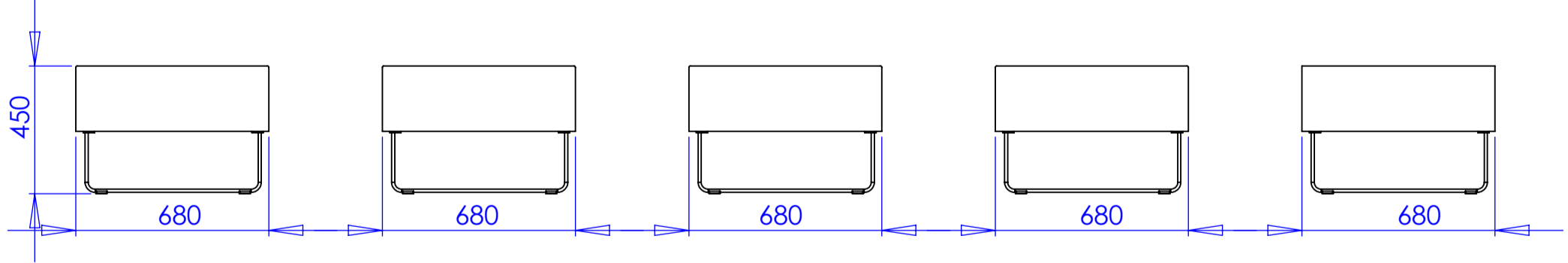
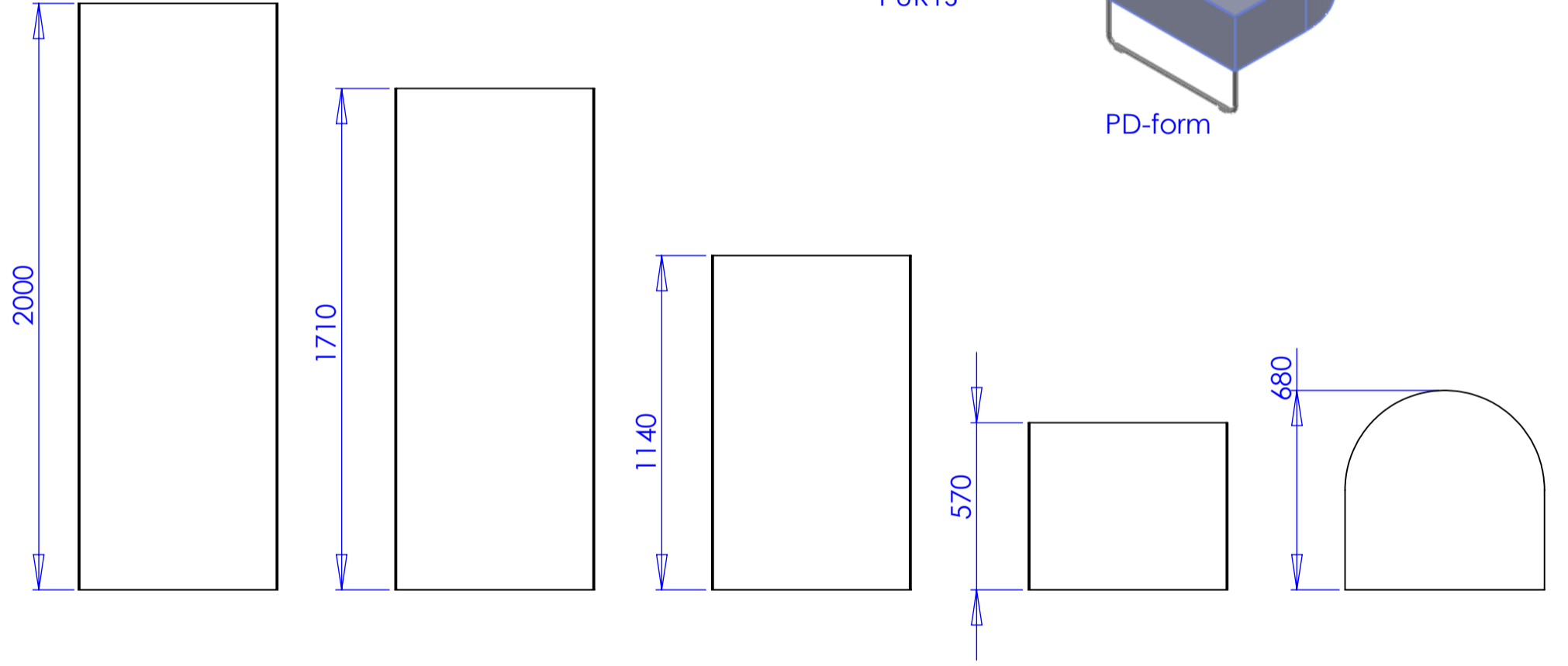
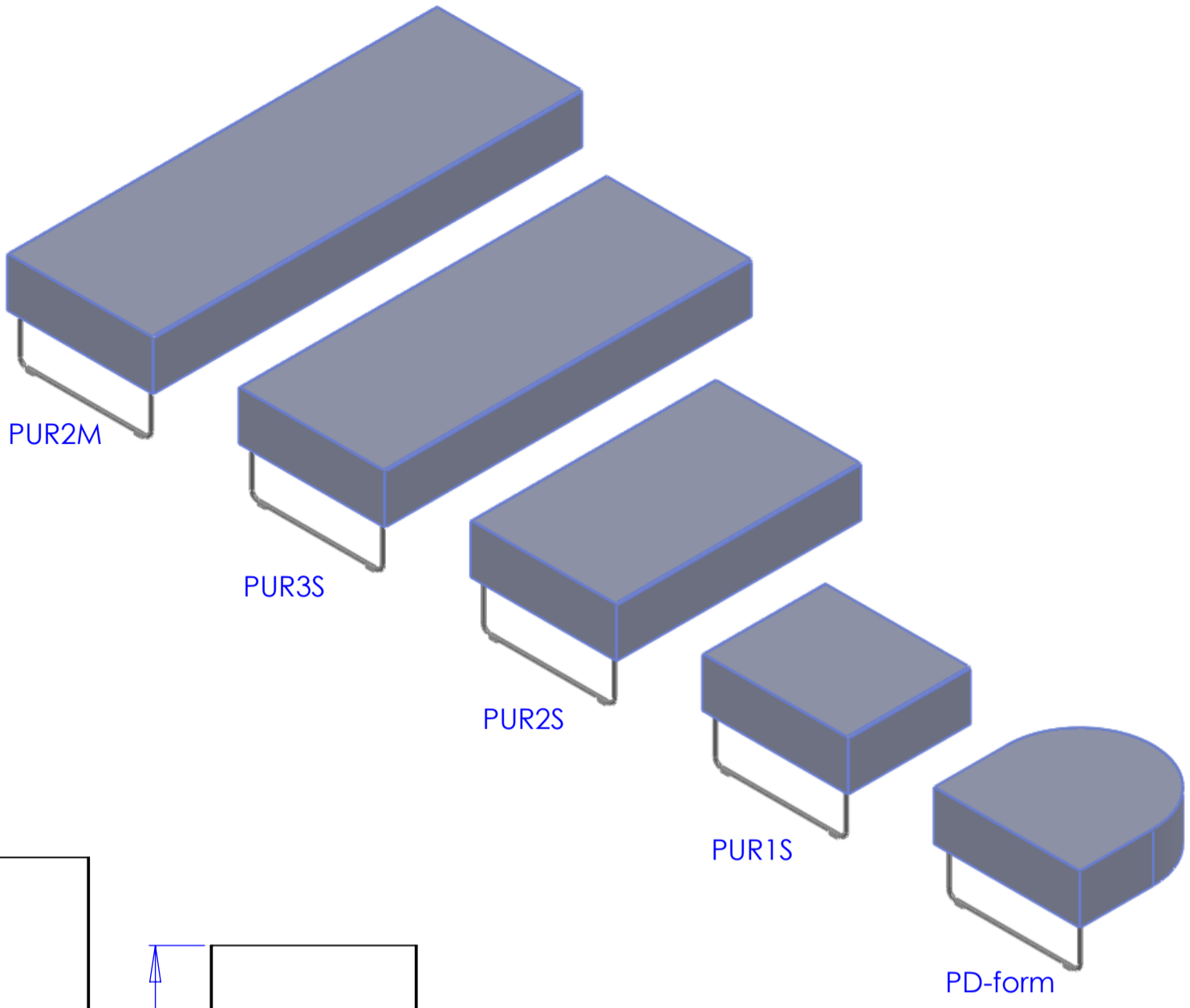
PP68




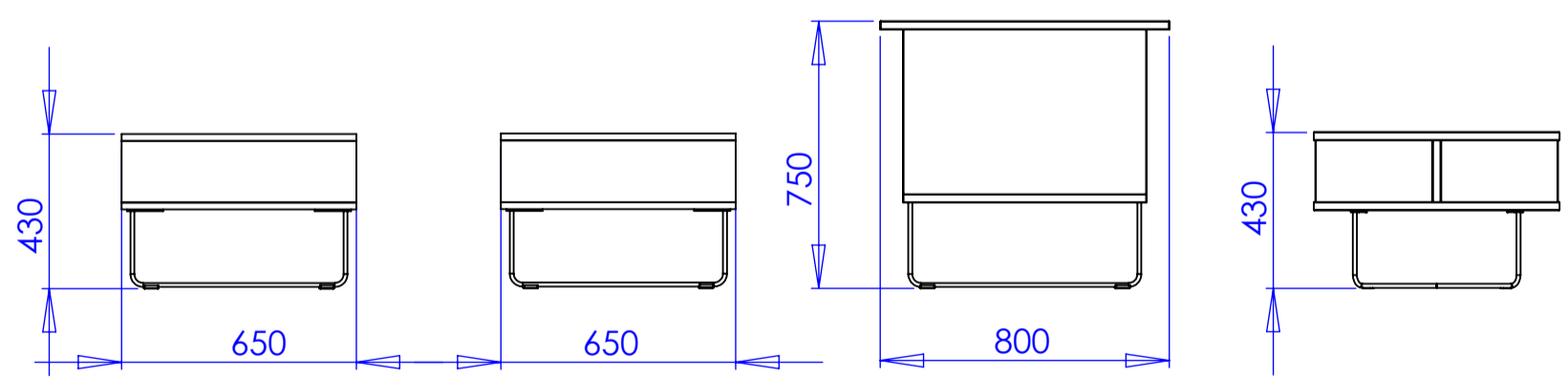
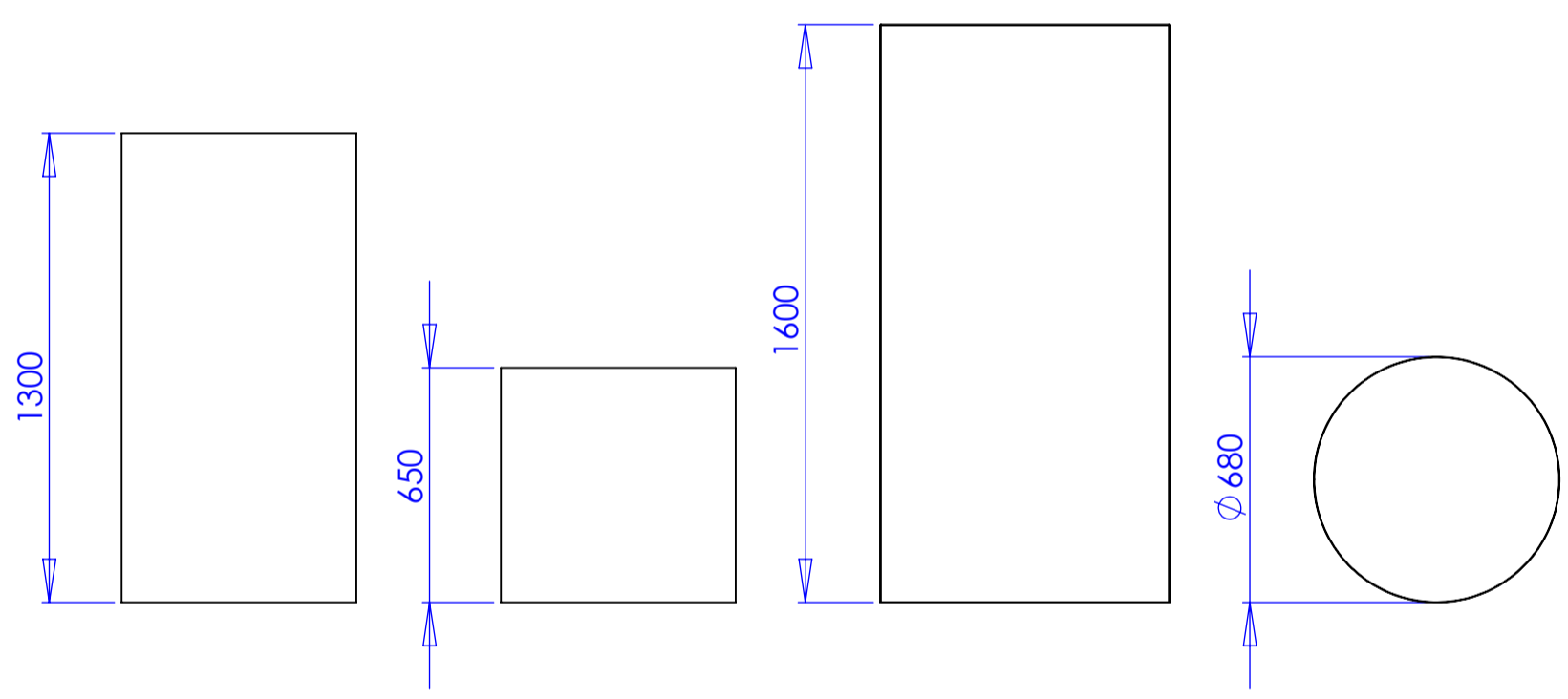
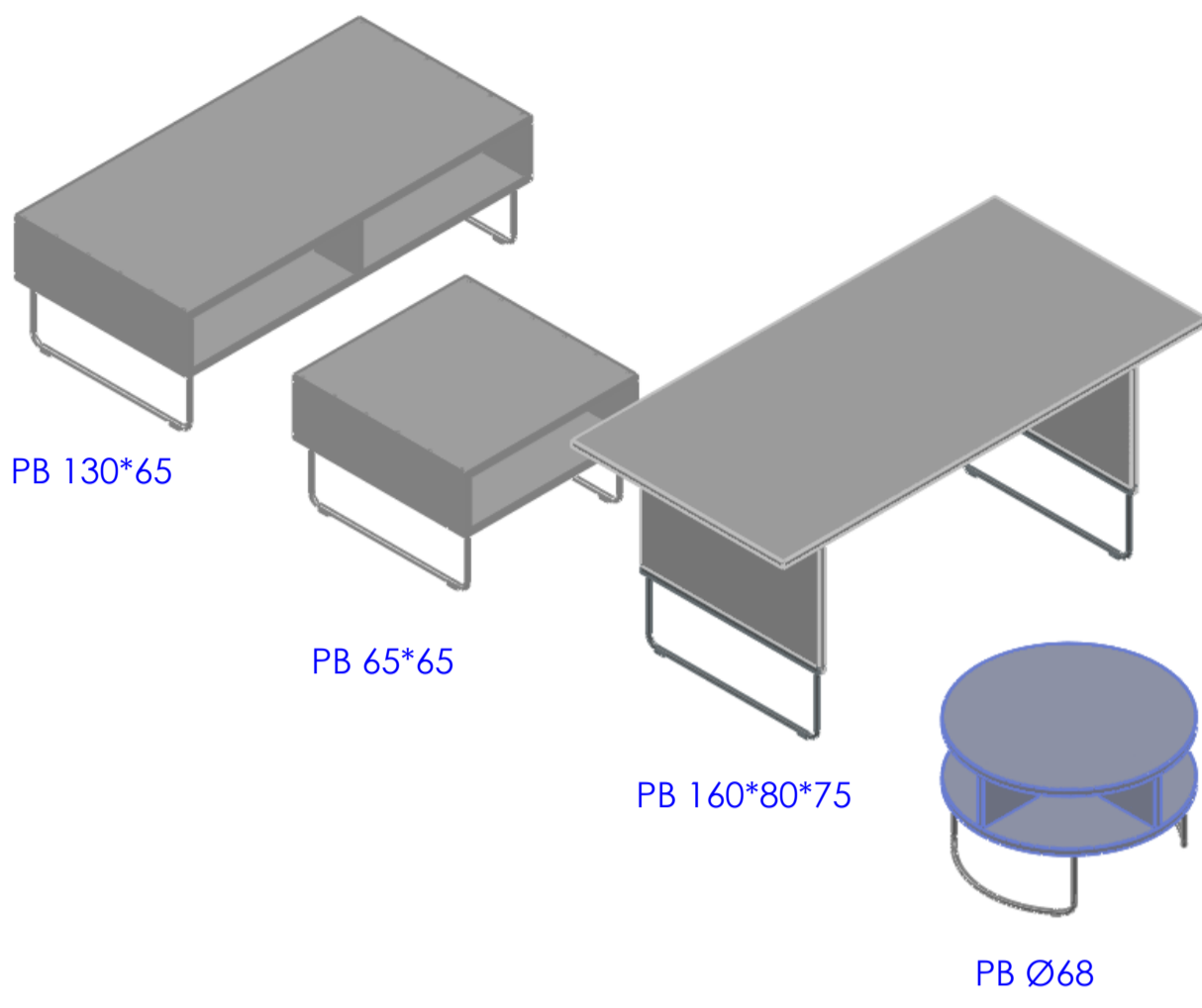
PP68.MH



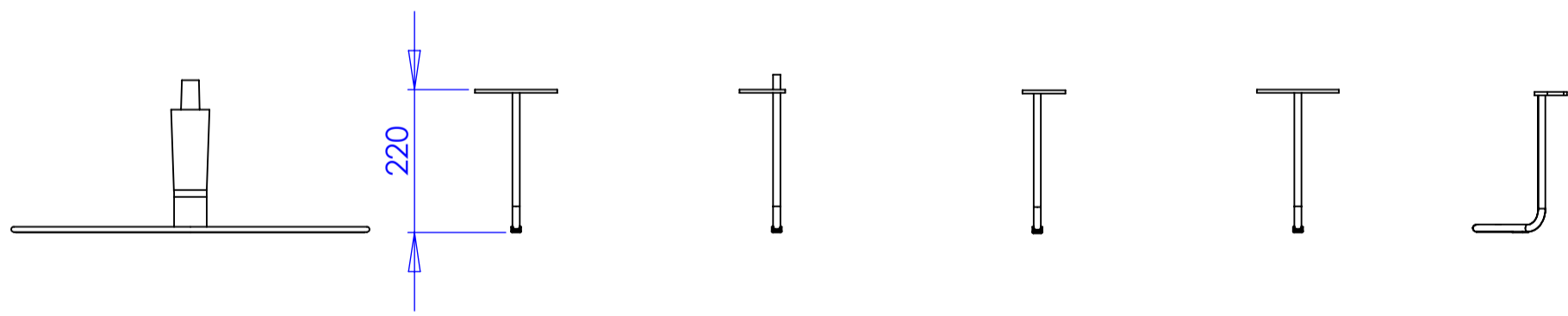
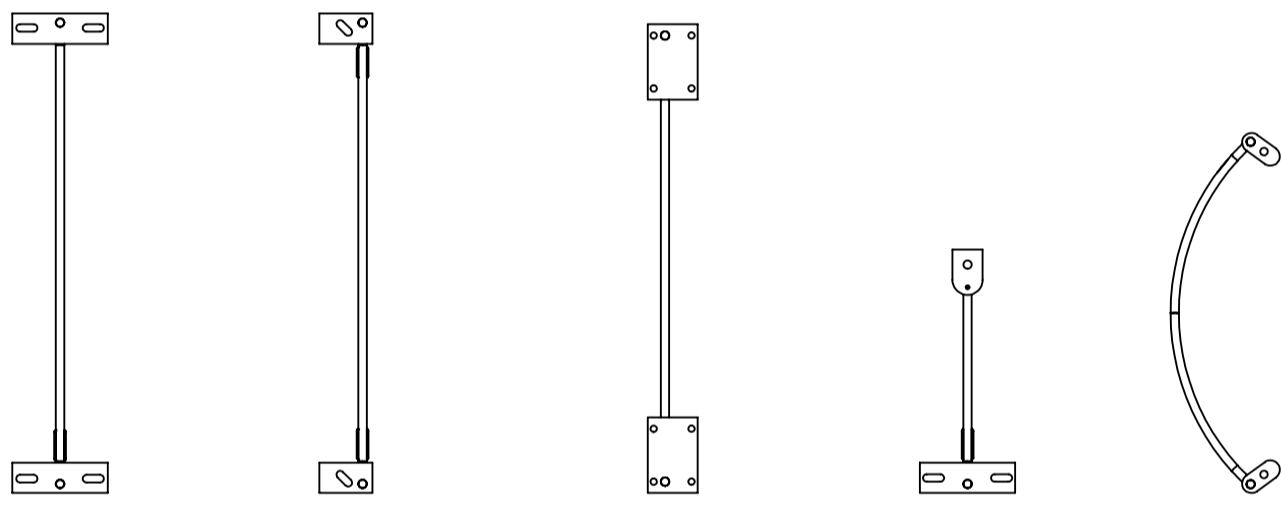
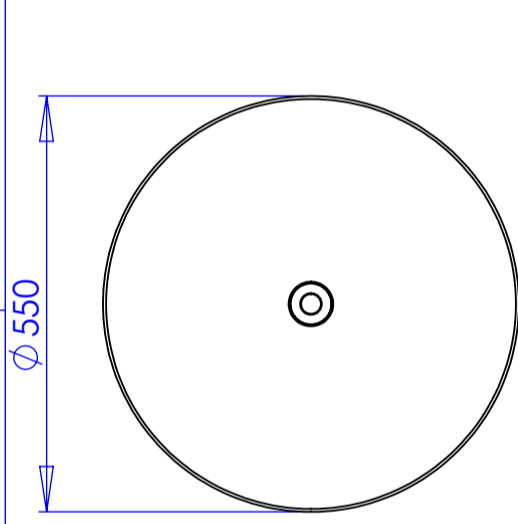
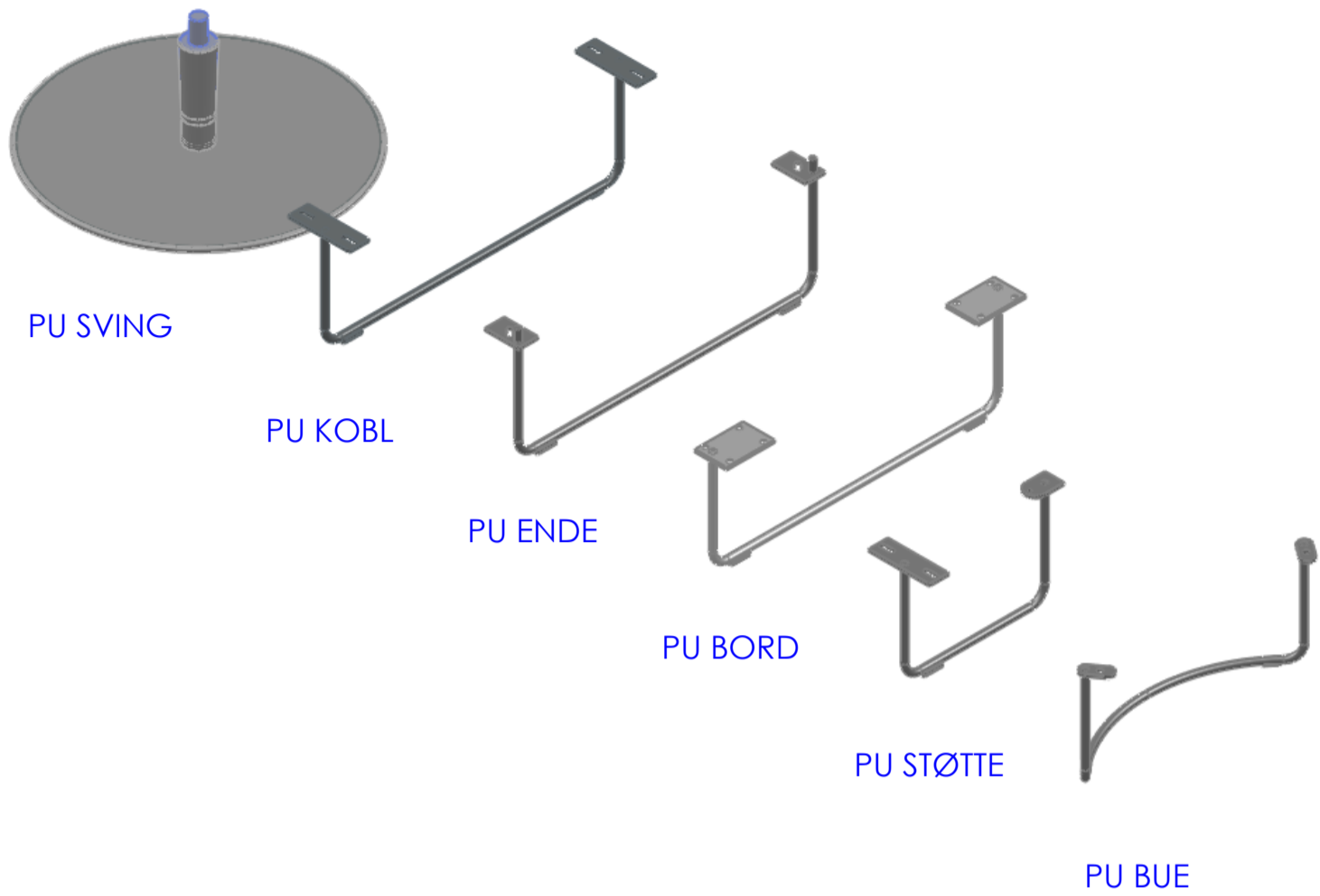
Emnemål:			
Nettomål:			
Date:	Drawn by:	Approved	 <p>THIS DRAWING IS THE PROPERTY OF VAD AS AND MUST NOT BE COPIED OR USED WITHOUT OUR APPROVAL.</p>
11.03.2011	RR		
Units		Scale:	
MM.		1:30	
Material		Sheet format A3	Tolerance
			+/- 0,2 mm.
Part name.	PIVOT MODULER4		Last saved by: rosrei
			Last saved: 16.03.2011
			Part/Drawing nr.




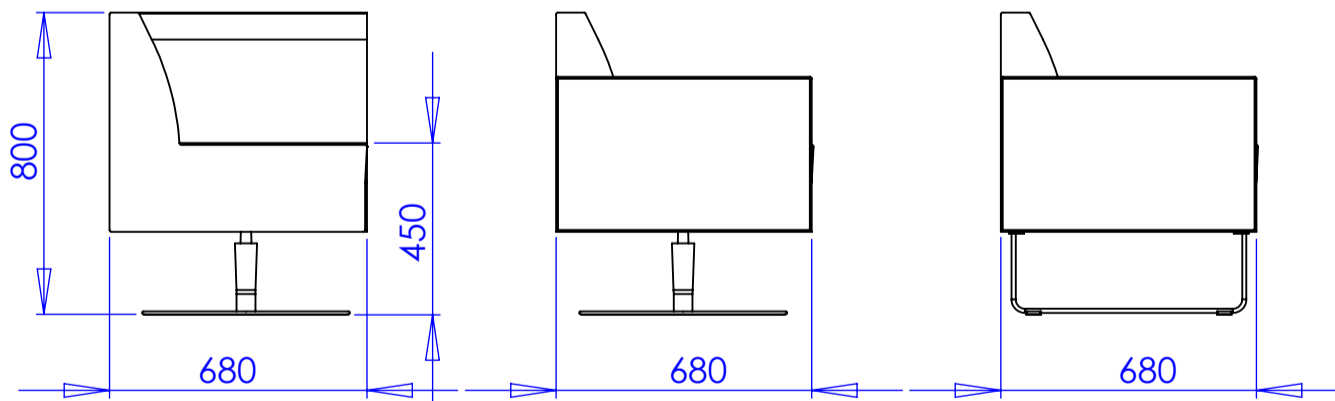
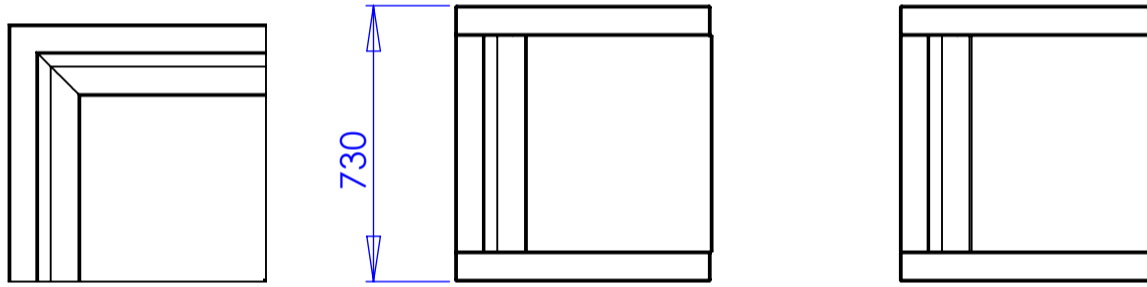
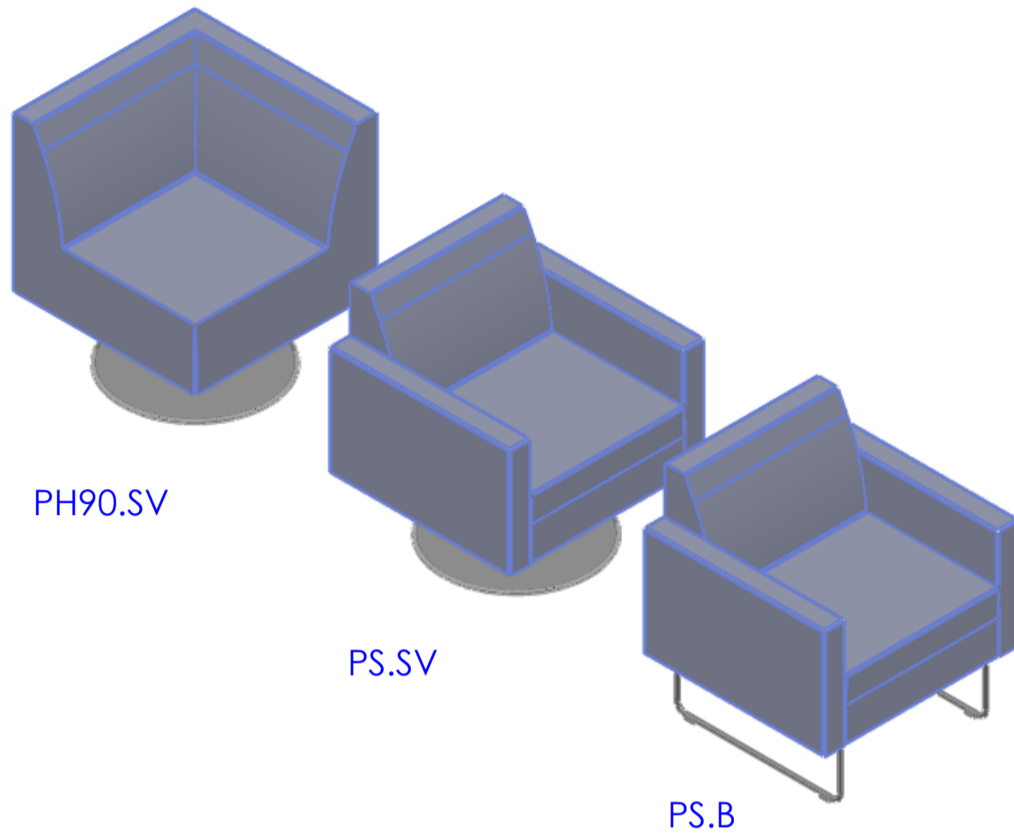
Emnemål:			
Nettomål:			
Date: 11.03.2011		Drawn by: RR	Approved _____
Units MM.		Scale: 1:20	 <small>THIS DRAWING IS THE PROPERTY OF VAD AS AND MUST NOT BE COPIED OR USED WITHOUT OUR APPROVAL.</small>
Material	Sheet format A3	Tolerance +/- 0,2 mm.	
Part name. PIVOT MODULER 5			Part/Drawing nr.



Emnemål:			
Nettomål:			
Date: 11.03.2011		Drawn by: RR	Approved _____
Units MM.		Scale: 1:20	<p>THIS DRAWING IS THE PROPERTY OF VAD AS AND MUST NOT BE COPIED OR USED WITHOUT OUR APPROVAL.</p>
Material	Sheet format A3	Tolerance +/- 0,2 mm.	
Part name. PIVOT MODULER 6			Part/Drawing nr.



Emnemål:			
Nettomål:			
Date:	Drawn by:	Approved	
11.03.2011	RR		
Units		Scale:	
MM.		1:10	THIS DRAWING IS THE PROPERTY OF VAD AS AND MUST NOT BE COPIED OR USED WITHOUT OUR APPROVAL.
Material		Sheet format A3	Tolerance
			+/- 0,2 mm.
Part name.	PIVOT MODULER 7		Last saved by: rosrei
			Last saved: 16.03.2011
			Part/Drawing nr.



Emnemål:			
Nettomål:			
Date: 16.03.2011		Drawn by: RR	Approved _____
Units MM.		Scale: 1:20	<p>THIS DRAWING IS THE PROPERTY OF VAD AS AND MUST NOT BE COPIED OR USED WITHOUT OUR APPROVAL.</p>
Material	Sheet format A3	Tolerance +/- 0,2 mm.	
Part name. PIVOT MODULER 8			Part/Drawing nr.